

JF990 Main Features



MAIN BOOM

8 telescopic sections, 360-degrees continuous rotation, max lifting capacity of 21.5 ton

5.4 ton HYDRAULIC JIB

6 telescopic sections, maximum working height 34.5 m, maximum outreach of 32 m



DOUBLE REMOVABLE COUNTERWEIGHT

With automatic dismantling system



ADDITIONAL ELECTRIC ENGINE

Possibility of working indoor silently and without any kind of emission



MEWP AND MAN BASKET

To be installed respectively on main boom and jib



X-PATTERN OUTRIGGERS

With hydraulic rotation between 0° and 45° and endless operational configurations



PICK & CARRY

Thanks to the sturdy crawlers

STABILISATION SYSTEM

5 stability levels, endless operating configurations



USER-FRIENDLY RADIO REMOTE CONTROL

It allows the single operator to easily manage all crane's movements, in complete safety



JF990



JF990

MAX 21500 kg

LxWxH 6,75 x 2,15 x 3,40 m

max 34,5 m with jib

max 32 m with jib

A real evolution of the species in the crawler cranes family: in JF990 the compact dimensions combine with increased extension and lifting capacity and advantages in transport.



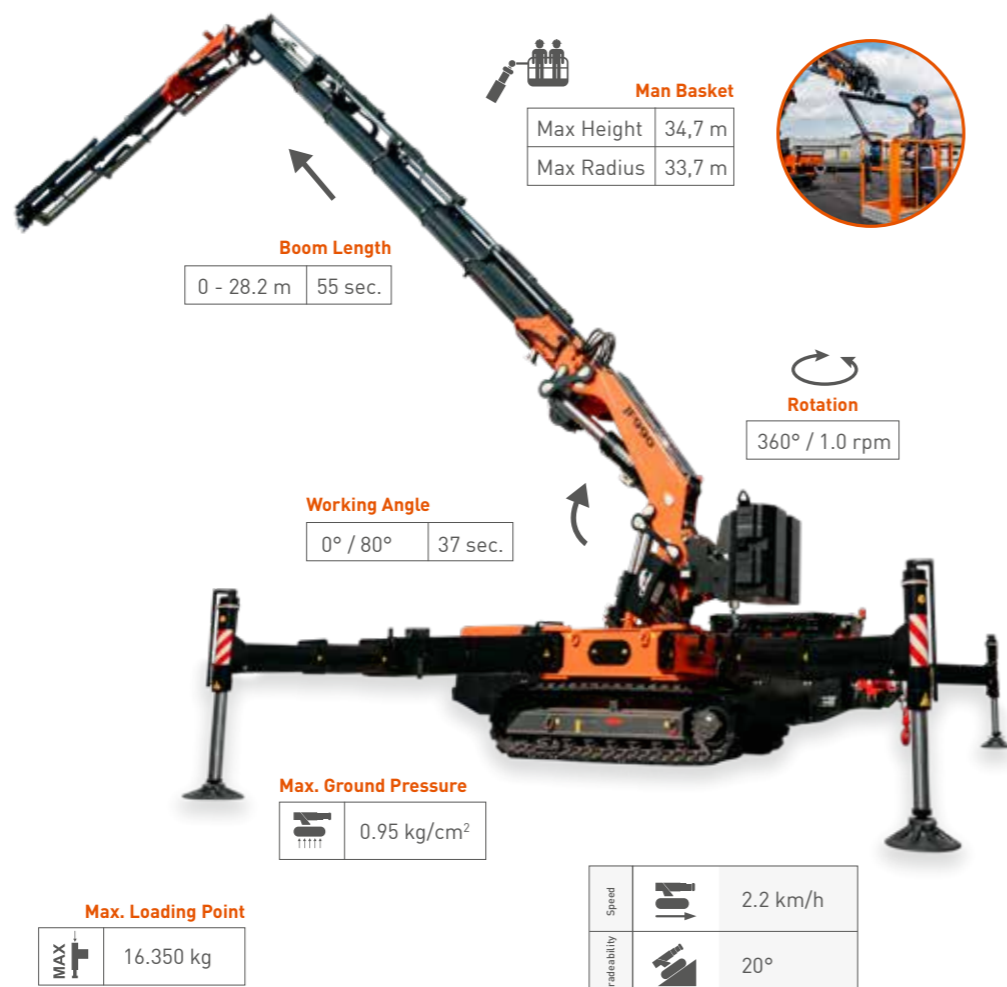
Technical Information

Dimensions	LxWxH	6,75 x 2,15 x 3,40 m
Footprint	Min	4,9 x 4,9 m
	Max	8,5 x 8,5 m

Crane & Options Weights		Kg
JF990		21500
Counterweight CW1 + CW2		2000 + 3000
Pulley Block		70
Winch		330
Power Pack		80
JIB5400.6HA		1750
Basket		200
White Pads		750

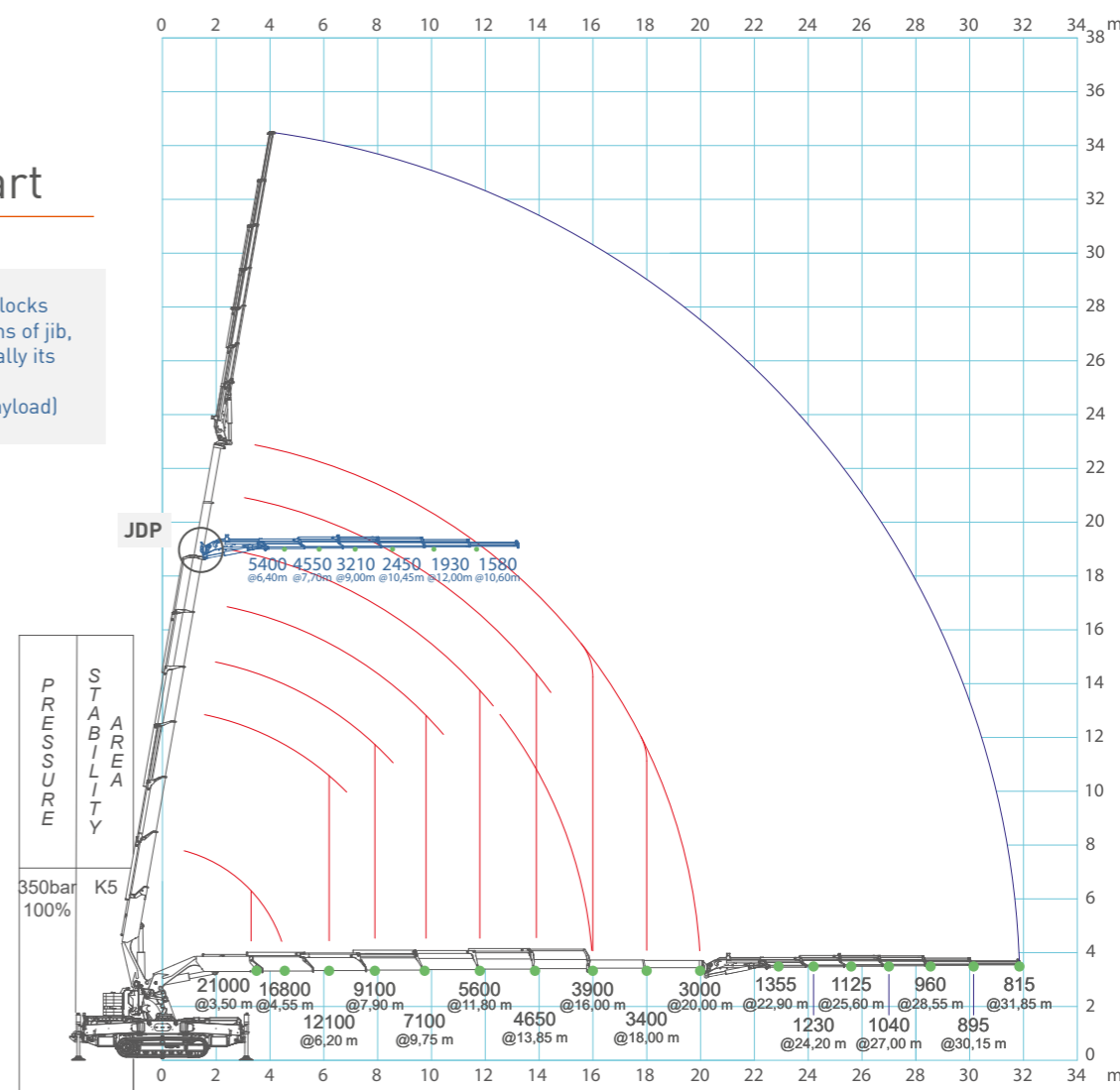
Winch	3000 kg	60 m - Ø 14 mm
-------	---------	----------------

JF990	Diesel Engine	DEUTZ TCD 3.6 L4 HT Stage V	55 kW 75 Hp
	Electric Power Pack	400V-3F	13 kW 17,4 Hp

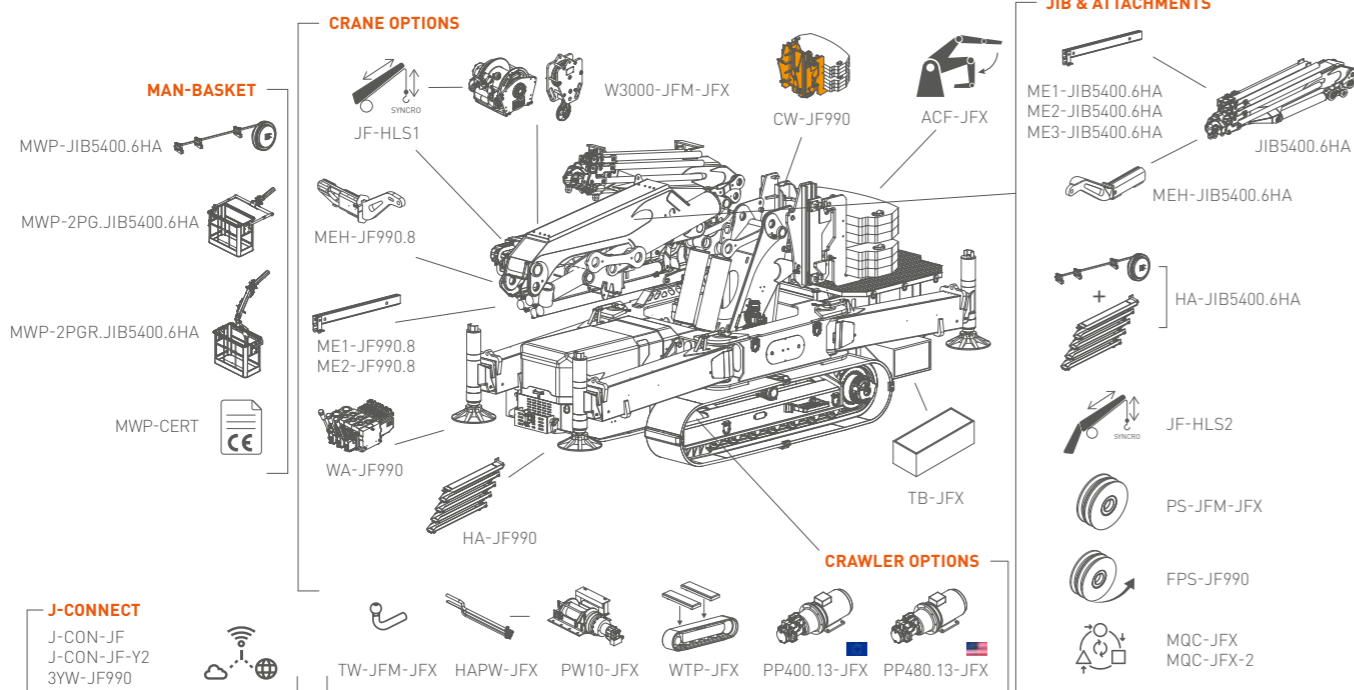


Load Chart

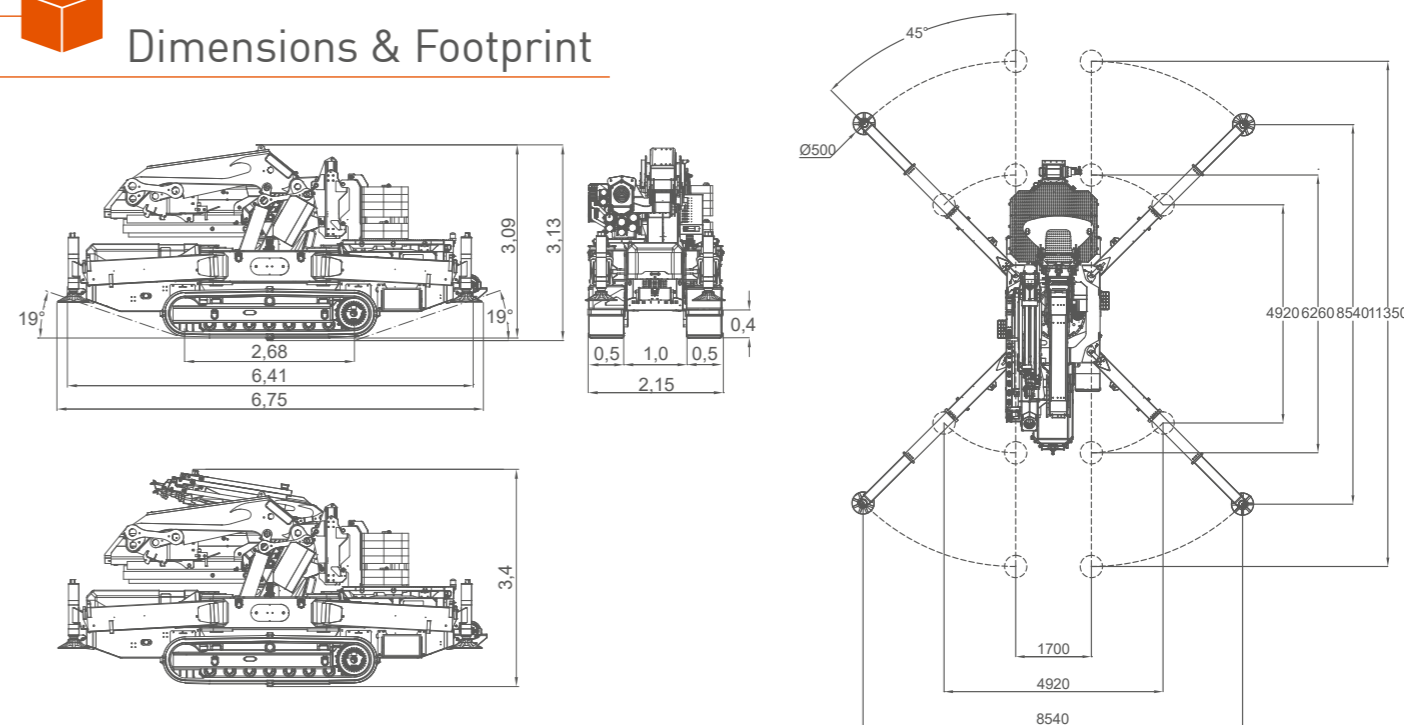
JDP: system which blocks 7th and 8th extensions of jib, increasing substantially its lifting capacity (5.4 ton maximum payload)



Crane Options



Dimensions & Footprint



All specifications and features herein described can be changed without prior advice. All indicated data are indicative only and are not binding as crane performs differently depending on its use.